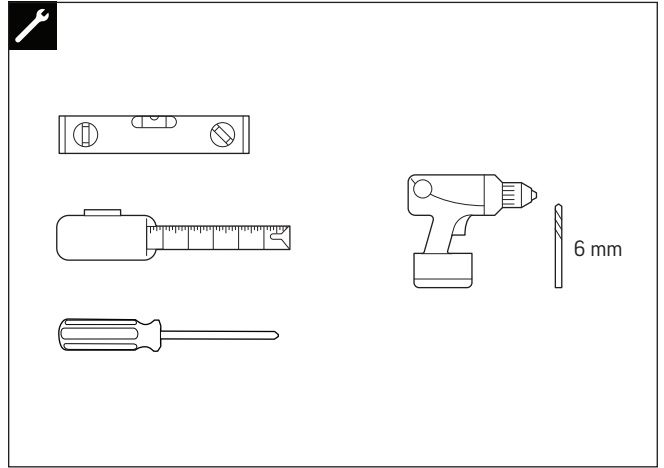


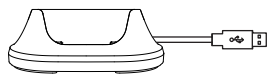


QUICK START

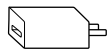
POLY ROVE 20 DECT IP PHONE



Poly Rove 20 DECT IP Phone
(with clip)

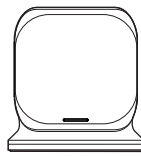


Charging Cradle



5V USB Power Adapter
(Varies by Country)

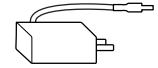
Included in Phone/Base Station Kit



Base Station
with Stand



Ethernet Cable



5V Power Adapter
(Varies by Country)

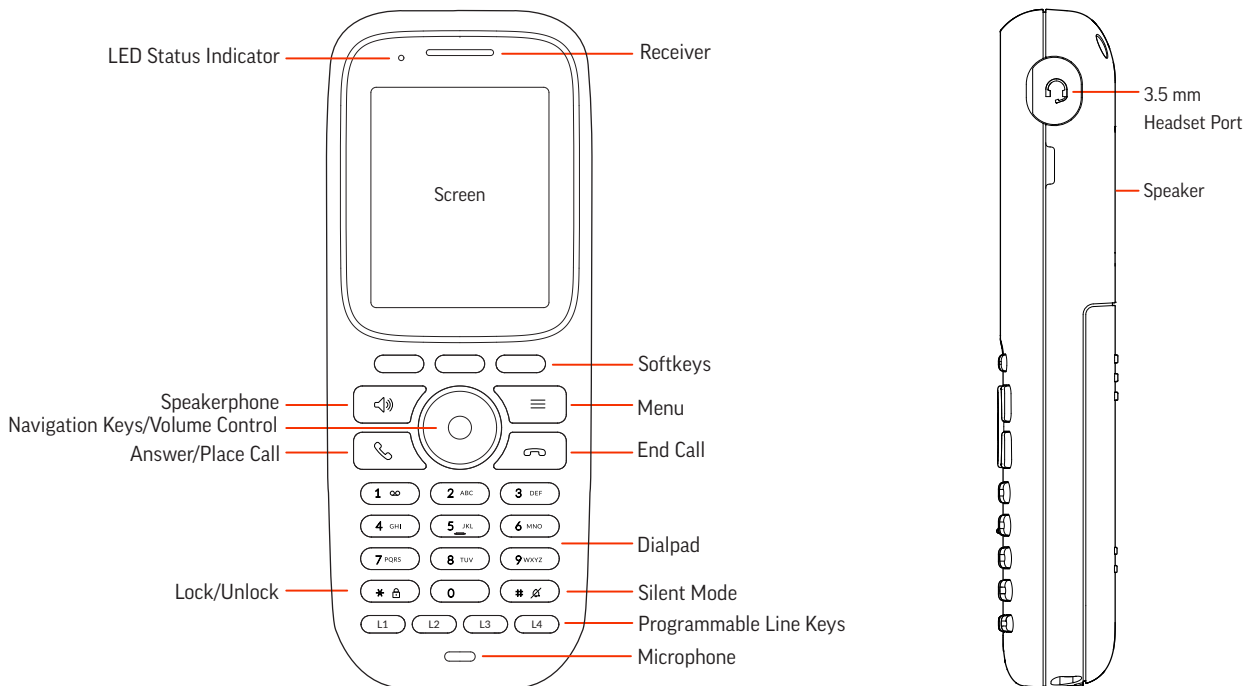


(2) 3.5 x 31 mm
Screw

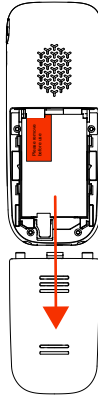


(2) Plastic
Wall Anchor

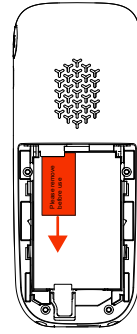
PHONE FEATURES



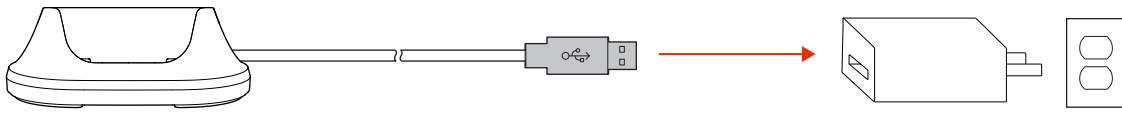
REMOVE BATTERY TAB 1



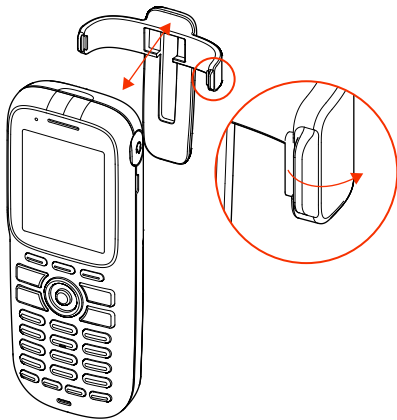
REMOVE BATTERY TAB 2



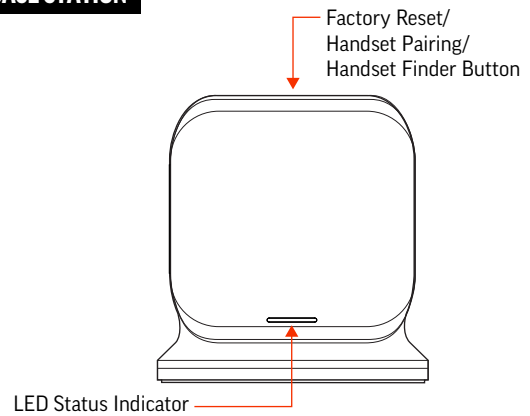
CHARGING CRADLE



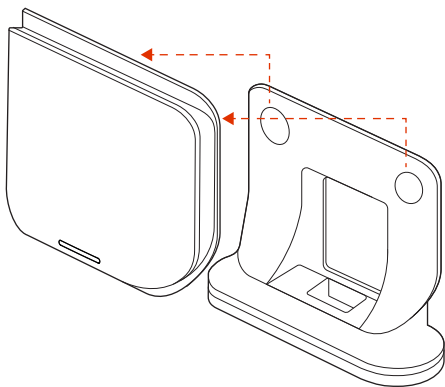
CLIP



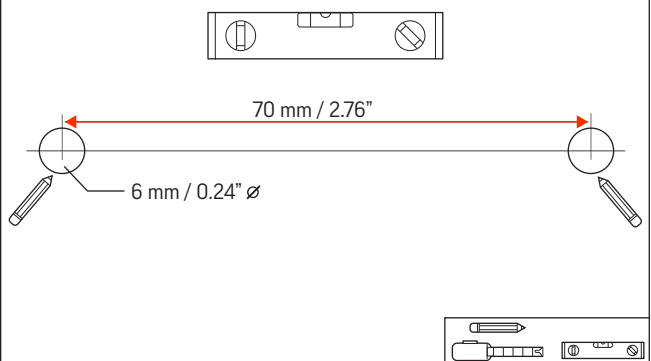
BASE STATION



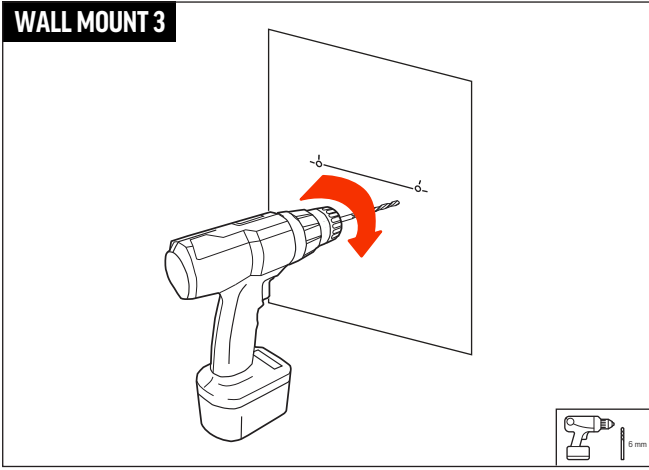
WALL MOUNT 1



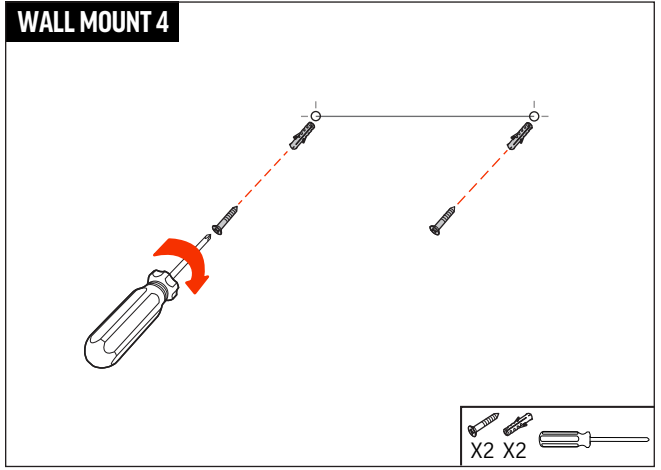
WALL MOUNT 2



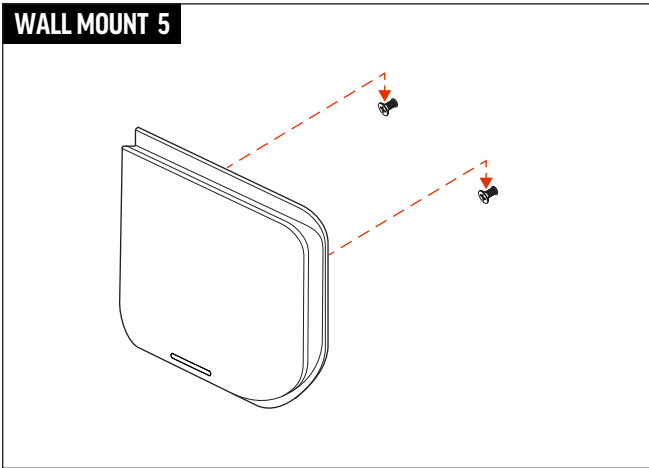
WALL MOUNT 3





WALL MOUNT 4




WALL MOUNT 5



 support.hp.com/poly





 poly.com/lens

